

The **comfortable**  
alternative!

## Pre-fabricated bathroom range 2014

pre-fabricated bathrooms in modular  
construction form. Saves time, money and  
space when planning and installing





## ■ Contents

- 3-4 **Prefabricated UNIVERSAL**
- 5-6 **Prefabricated BASIS**
- 7-10 **Model versions and prices**
  - 11 **Prices for special accessories**
  - 12 **Assembly**
  - 13 **Grumbach representatives**

The family company Grumbach has produced space-saving, prefabricated wet cells (pre-fabricated bathrooms) in light construction (element construction) since 1974.

Grumbach has combined the use of high quality materials and first class craftsmanship so well with this fully thought out production concept that the unconventional prefabricated bathroom is now highly regarded.

This brochure contains all of the important information about the current Grumbach range in the pre-fabricated bathroom branch.

## ■ The most important characteristics of the grumbach pre-fabricated bathrooms

Grumbach pre-fabricated bathrooms are ideal for the renovation and modernisation of old buildings such as hotels, guesthouses, apartments and commercial buildings, etc.

The Grumbach range consists of high quality pre-fabricated bathrooms with the right price/performance ratio.

- Pre-fabricated bathrooms in **elements**, consisting of wall elements, floor parts, ceiling and door, able to be moved by hand (problem-free installation in old buildings)
- Large **selection of models**
- Suitable for the left or right hand room corner
- **Saves time, money and space** when planning and installing
- **Durable and strong**
- Fully fitted
- Internal and external **surfaces fully finished**
- Fully accessible **technology**
- **Problem-free assembly and connection** on site following the building block system
- **Functional and comfortable** requiring the minimum of space.
- **Easily maintained**, no limescale
- Many practical **worktops** and extras.
- In the case of connection problems, **extra accessories** such as milling pumps, hot water tanks, ventilators with charcoal filter etc. are available at extra cost

Development  
and production  
made in  
Germany

## Pre-fabricated bathrooms from Grumbach

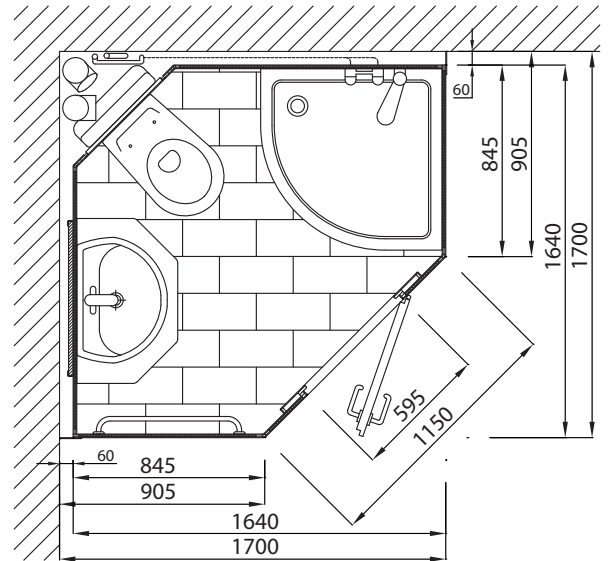
save time, money and  
space when planning and  
installing



## ■ Prefabricated bathroom UNIVERSAL

### General description:

- Body made of element units in light construction (low weight!)
- Walls, floor, ceiling and door access door high-quality plastic (PS)
- Cabinet colour: white
- Floor covering is PVC
- Water tight, white access door made of PS with ventilation grate, door lock with "occupied" sign and two clothes hooks
- Light switch outside next to the access door with indicator light
- Base in sandwich construction with dual sided strengthened coating and PS hard foam core
- The base has a lip 1.5 cm high around the rim creating a tub
- Base with feet for easy positioning
- Water pipes made of plastic from "REHAU" pre-assembled to the assembly duct
- Draining pipes made of HT pipes, pre-fitted to assembly duct
- Lighting is provided by ceiling lamps (3)
- Access panel to the connection duct
- Including material for electrical installation
- 2 flexible connection hoses for cold and hot water, 1m long, 3/4" x 1/2"
- Two facings made of plastic for the walls are included in the scope of delivery
- The access height is only about 8cm



### Pre-fabricated bathroom UNIVERSAL

is the ideal solution for installation in the corner.

**It requires less than 3 m<sup>2</sup> floor space.**

### Pre-fabricated bathroom UNIVERSAL

completely and high-quality equipped pre-fabricated bathroom with quarter-circle shower, wall-hanging ceramic WC and porcelain washstand; suitable for the right-hand or left-hand room corner.

## ■ Equipment and interior pre-fabricated bathroom UNIVERSAL

### Interior WC area (WC)

- Ceramic WC- wall hanging
- Toilet seat with lid, white
- Concealed cistern with "SIGMA 01" flush panel from GEBERIT®
- Toilet paper holder
- Elegant interior wall optic due to designer cladding panels (black)

### Interior washstand area (WT)

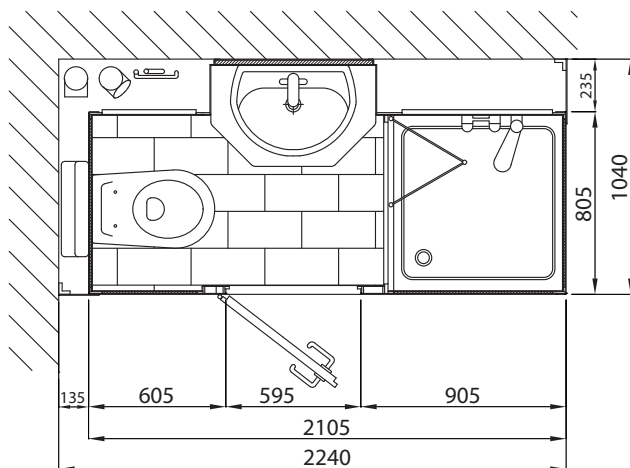
- Porcelain washstand 55 x43cm, white
- Bottle siphon, corner valve and drain made of chrome
- Including undersink cupboard made of PS
- Chrome plated one handed mixer with ceramic seal
- Shelf made of plastic (PS) in the same colour as the cubicle
- Crystal mirror 120x80 cm
- Wetroom electric socket
- 2 towel hooks and a towel rail
- Elegant interior wall optic due to designer cladding panels (black)

### Interior showering area (DU)

- Quarter circle shower tray 90x90 cm made of acrylic, white
- Access height approx. 21 cm
- Chrome plated one handed mixer tap with ceramic seal
- Shower set, brand name, chrome plated including soap dish
- High-quality real glass doors

## Pre-fabricated bathrooms from Grumbach

allow problem-free assembly on site following the building block system



## ■ Prefabricated bathroom BASIS

### General description:

- Body made of element units in light construction (low weight!)
- Walls, floor, ceiling and access door high-quality plastic (PS)
- Cabinet colour: white
- Floor covering is PVC
- Water tight, white access door made of PS with ventilation grate, door lock with "occupied" sign and two clothes hooks
- Light switch outside next to the access door with indicator light
- Base in sandwich construction with dual sided strengthened coating and XPS hard foam core
- The base has a lip 1.5 cm high around the rim creating a tub
- Base with feet for easy positioning
- Water pipes made of plastic from "REHAU" pre-assembled to the assembly duct
- Draining pipes made of HT pipes, pre-fitted to assembly duct
- Lighting is provided by ceiling lamps (3)
- Access panel to the connection duct
- Including material for electrical installation
- Equipment for a ventilation connection DN 100
- 2 flexible connection hoses for cold and hot water, 1m long, 3/4" x 1/2"
- Two facings made of plastic for the walls are included in the scope of delivery
- The access height is only about 8cm



## Pre-fabricated bathroom BASIS

completely and high-quality equipped pre-fabricated bathroom. Available in four base variations (see page 7).

## ■ Equipment and interior pre-fabricated bathroom BASIS

### Interior WC area (WC)

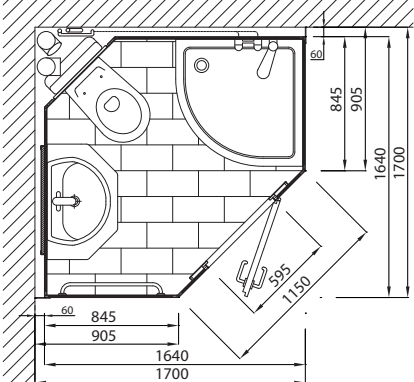
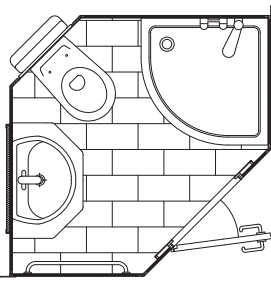
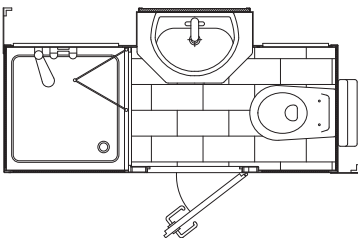
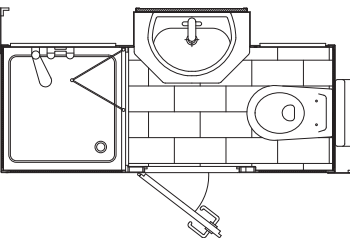
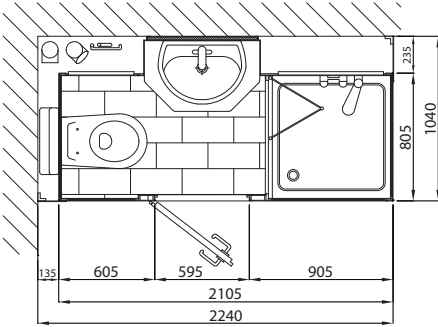
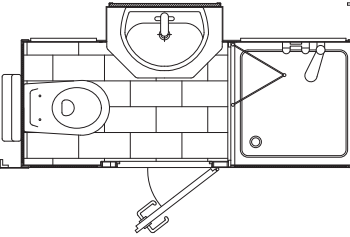
- Ceramic WC- wall hanging
- Toilet seat with lid, white
- Concealed cistern with "SIGMA 01" flush panel from GEBERIT®
- Toilet paper holder
- Elegant interior wall optic due to designer cladding panels (black)

### Interior washstand area (WT)

- Porcelain washstand 55 x43cm, white
- Bottle siphon, corner valve and drain made of chrome
- Including undersink cupboard made of PS
- Chrome plated one handed mixer with ceramic seal
- Shelf made of plastic (PS) in the same colour as the cubicle
- Crystal mirror 120x70 cm
- Wetroom electric socket
- 2 towel hooks and a towel rail
- Elegant interior wall optic due to designer cladding panels (black)

### Interior showering area

- Shower tray 80x80 cm made of ABS, white
- Access height approx. 17.5 cm
- Chrome plated one handed mixer tap with ceramic seal
- Shower set, brand name, chrome plated including soap dish
- High-quality real glass sliding folding door

Model variations and 2014 prices, with production order number		Prices in Euro
<b>Pre-fabricated bathroom UNIVERSAL with shower, WC and washstand</b>		170x170x226 cm (WxDxH)
<b>13.RR</b>	<b>13.RL</b>	<b>6495,-</b>
		
<b>Pre-fabricated bathroom BASIS with shower, WC and washstand</b>		224x104x226 cm (WxDxH)
<b>23.LBR</b>	<b>23.LBL</b>	<b>5995,-</b>
		
<b>23.RBL</b>	<b>23.RBR</b>	<b>5995,-</b>
		

Subject to any kind of alterations, errors excepted. All prices are non-binding recommendations excl. VAT. Valid 1/2014!

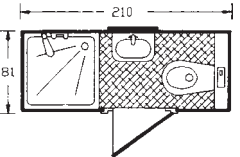
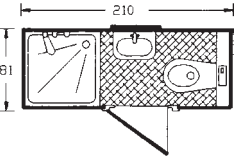
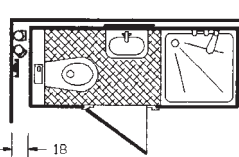
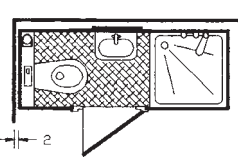
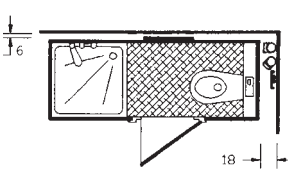
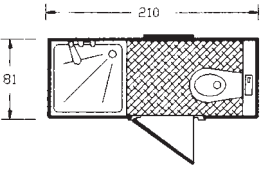
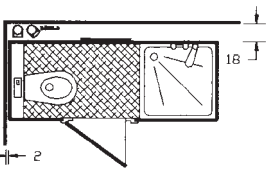
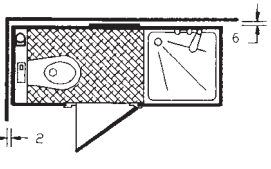
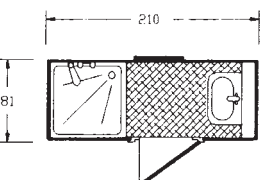
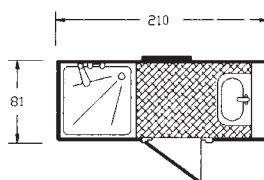
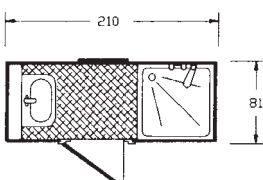
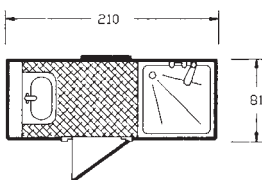
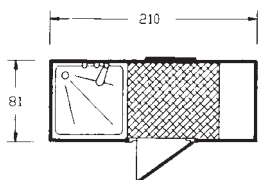
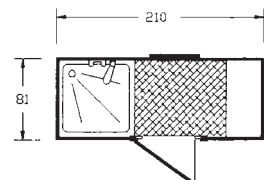
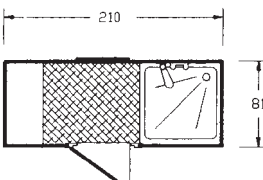
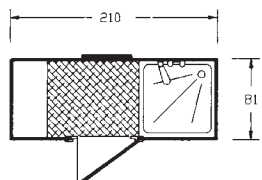
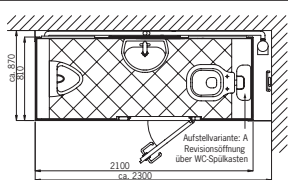
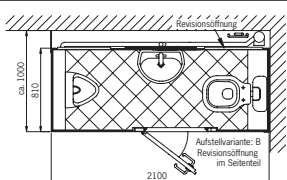
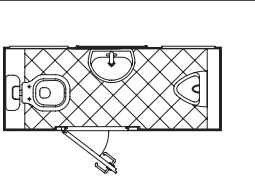
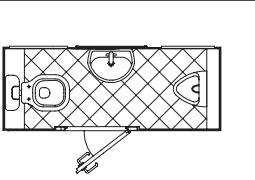
## Explanation of the order numbers

Choose your model and create your own order number. It is quite simple:

- **The number** refers to the model. Example: 23 Model BASIS with shower, WC and washstand
- The **first letter** determines the positioning of the shower: **L**= Shower\* left, **R**= Shower\* right
- The **second letter** determines the access: **B**= Door on the broadside, **S**= Door on the narrow side
- The **third letter** determines the direction the way the door opens: **L**= Door opens to the left, **R**= Door opens to the right

■ The model BASIS (**23**) with the shower left (**L**), door on the broadside (**B**) and open to the right (**R**) has the order number **23.LBR**

\* When there is no shower, the WC determines the configuration.

Model variations and 2014 prices, with production order number				Prices in Euro
<b>Pre-fabricated bathroom SPARTA with shower, WC and washstand</b>				210x81x226 cm (WxDxH)
<b>55.LBR</b>	<b>55.LBL</b>	<b>55.RBL</b>	<b>55.RBR</b>	<b>5245,-</b>
				
<b>Pre-fabricated bathroom SPARTA with shower and WC</b>				210x81x226 cm (WxDxH)
<b>56.LBR</b>	<b>56.LBL</b>	<b>56.RBL</b>	<b>56.RBR</b>	<b>4695,-</b>
				
<b>Pre-fabricated bathroom SPARTA with shower and washstand</b>				210x81x226 cm (WxDxH)
<b>57.LBR</b>	<b>57.LBL</b>	<b>57.RBL</b>	<b>57.RBR</b>	<b>4695,-</b>
				
<b>Prefabricated bathroom SPARTA as an industrial shower with shower, access room and bench</b>				210x81x226 cm (WxDxH)
<b>58.LBR</b>	<b>58.LBL</b>	<b>58.RBL</b>	<b>58.RBR</b>	<b>4250,-</b>
				
<b>Pre-fabricated bathroom SPARTA with WC, washstand and urinal</b>				210x81x226 cm (WxDxH)
<b>59.LBR</b>	<b>59.LBL</b>	<b>59.RBL</b>	<b>59.RBR</b>	<b>5245,-</b>
				

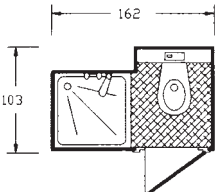
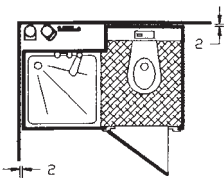
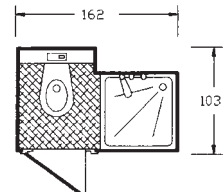
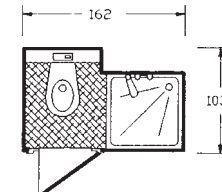
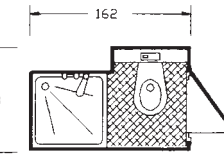
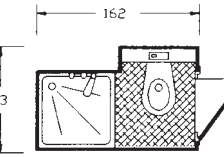
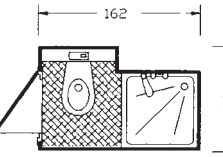
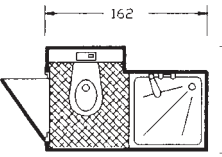
Depending on drain position, approx. 2, 6 or 18cm space between wall and cabin required.

Subject to any kind of alterations, errors excepted. All prices are non-binding recommendations excl. VAT. Valid 1/2014!

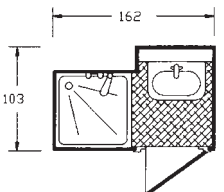
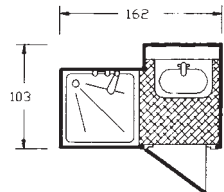
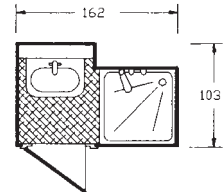
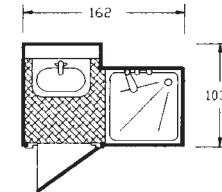
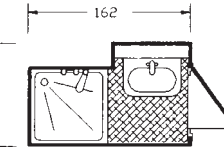
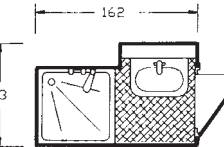
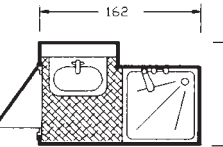
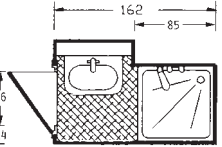


**Model variations and 2014 prices, with production order number** **Prices in Euro**

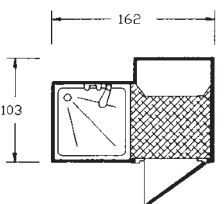
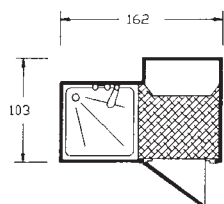
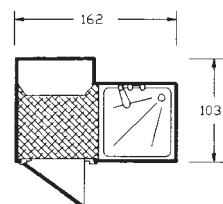
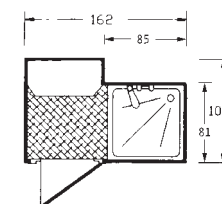
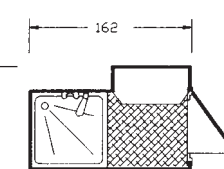
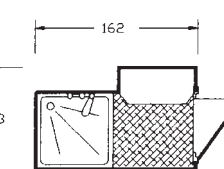
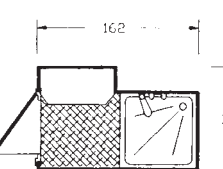
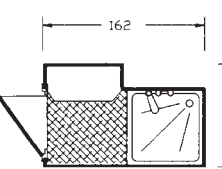
**Pre-fabricated bathroom FRANKFURT with shower and WC** 162x103x226 cm (WxDxH)

<b>50.LBR</b>	<b>50.LBL</b>	<b>50.RBL</b>	<b>50.RBR</b>	<b>4200,-</b>
				
<b>50.LSR</b>	<b>50.LSL</b>	<b>50.RSL</b>	<b>50.RSR</b>	<b>4200,-</b>
				

**Pre-fabricated bathroom FRANKFURT with shower and washstand** 162x103x226 cm (WxDxH)

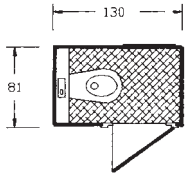
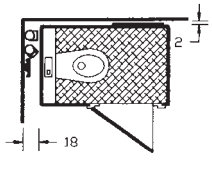
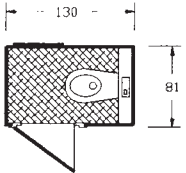
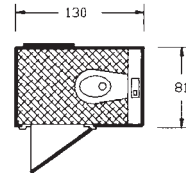
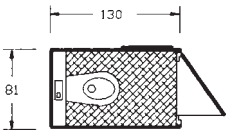
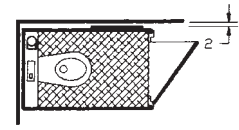
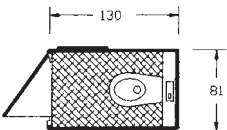
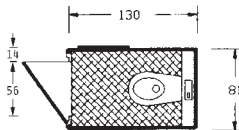
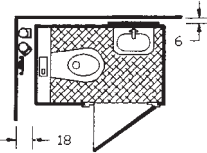
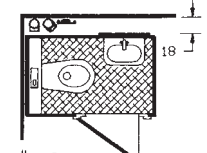
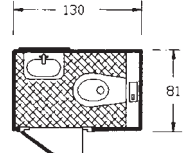
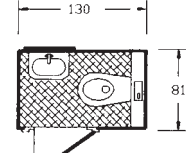
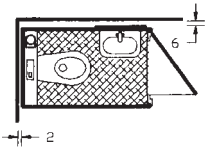
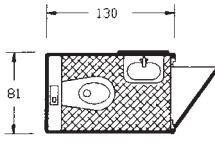
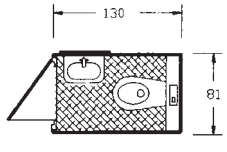
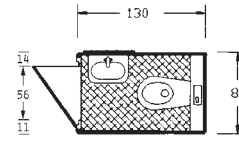
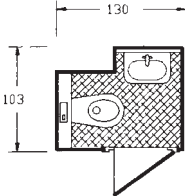
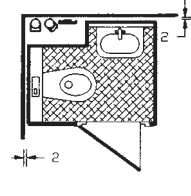
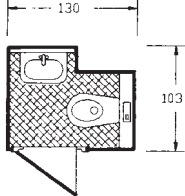
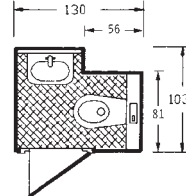
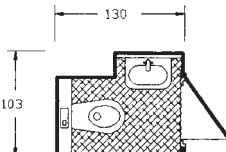
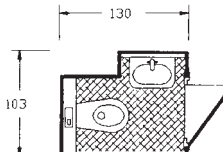
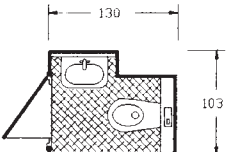
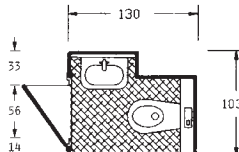
<b>51.LBR</b>	<b>51.LBL</b>	<b>51.RBL</b>	<b>51.RBR</b>	<b>4200,-</b>
				
<b>51.LSR</b>	<b>51.LSL</b>	<b>51.RSL</b>	<b>51.RSR</b>	<b>4200,-</b>
				

**Pre-fabricated FRANKFURT as an industrial shower with shower, access room and bench** 162x103x226 cm

<b>52.LBR</b>	<b>52.LBL</b>	<b>52.RBL</b>	<b>52.RBR</b>	<b>3880,-</b>
				
<b>52.LSR</b>	<b>52.LSL</b>	<b>52.RSL</b>	<b>52.RSR</b>	<b>3880,-</b>
				

Approx. 2 space between wall and cabin required.

Subject to any kind of alterations, errors excepted. All prices are non-binding recommendations excl. VAT. Valid 1/2014.

Model variations and 2014 prices, with production order number				Prices in Euro
<b>WC cubicle with WC</b>				130x81x226 cm (WxDxH)
<b>40.LBR</b>	<b>40.LBL</b>	<b>40.RBL</b>	<b>40.RBR</b>	<b>2910,-</b>
				
<b>40.LSR</b>	<b>40.LSL</b>	<b>40.RSL</b>	<b>40.RSR</b>	<b>2910,-</b>
				
<b>WC cubicle with WC and washbasin</b>				130x81x226 cm (WxDxH)
<b>41.LBR</b>	<b>41.LBL</b>	<b>41.RBL</b>	<b>41.RBR</b>	<b>3300,-</b>
				
<b>41.LSR</b>	<b>41.LSL</b>	<b>41.RSL</b>	<b>41.RSR</b>	<b>3300,-</b>
				
<b>WC cubicle with WC and washstand</b>				130x103x226 cm (WxD xH)
<b>42.LBR</b>	<b>42.LBL</b>	<b>42.RBL</b>	<b>42.RBR</b>	<b>3780,-</b>
				
<b>42.LSR</b>	<b>42.LSL</b>	<b>42.RSL</b>	<b>42.RSR</b>	<b>3780,-</b>
				

Accessories prices	Order No.	Prices in Euro
<b>■ Extra accessories and work for Grumbach pre-fabricated bathrooms</b>		
<b>5 litre electric boiler</b> for the WB (=WASHBASIN) - hot water supply, connected to a low pressure mixer	80	260,-
<b>Warm water tank</b> 18 l, 2KW depressurised. For supplying the shower	81	440,-
<b>Milling pump.</b> For connection of the WC to a DN 40 drain pipe when the drain is too high	86.1	995,-
<b>Milling pump.</b> For connection of the WC and washstand to a DN40 drain pipe when the drain is too high	86.2	1085,-
<b>Milling pump.</b> For connection of the WC, washstand and shower to a DN40 drain pipe when the drain is too high	86.3	1135,-
<b>Waste water pumping station*</b> for connection of the shower, manufacturer SFA SANIBROY, model Sanidouche.	87	690,-
<b>Ventilator DN 100.</b> With backflow cover and relay, controlled via the light switch	90	230,-
<b>Ventilator.</b> With backflow cover and relay, controlled via the light switch, "with anti-moulding". Programme (hourly, 10 minute interval operation) low noise, manufactured by GLT-BRAVO	91	295,-
<b>Ventilator with fire prevention.</b> As described above, with fire proof casing	92	495,-
<b>Ventilator with charcoal filter.</b> When there is no ventilation pipe. With backflow relay	93	460,-
<b>Charcoal refill pack for filter</b> (filter charcoal should be changed once a year)	94	70,-
<b>Assembly costs</b> for prefabricated bathrooms i.e. loading, transportation and assembly including water connections but <b>not electrical connections</b> ; within Germany, depending on the order size, prices are net per prefabricated bathroom	98	For 1 unit 700,- For 2 units 650,- For 3 units 600,- For 4 units 550,- For 5 units 500,-

\* Attention: It is forbidden to use this pump for any industrial or commercial purpose!

## ■ Trouble with the connection?

### Drain size DN 100 not available?

- A pump will transport the waste water over 20m away through a pipe or hose (diameter 22 mm)

### No hot water supply?

- A 18 l electric boiler and/or 5 l electric boiler can be fitted in the factory.

### No ventilation?

- Our solution:  
A charcoal filter (to be changed once a year) replaces the pipe.

**All of the pre-fabricated bathrooms** with raised showers and WC-Cabins can be fitted with a milling pump and/or a warm water boiler. This is also possible with distant plumbing connections. If the connections are not in the immediate vicinity you require a drainage hose or pipe ¾", cold water pipe ½" and an electrical supply of approx. 3.5KW.



Grumbach pre-fabricated bathrooms can be built on-site in record time using the building block principle. A bathroom in a day!

